

Cabinet U-Handles

Stainless Steel

SPECIFICATION

Types

- Type **A**: Mounting from the back (threaded blind bore)
- Type **B**: Mounting from the operator's side

Stainless steel AISI 304

- Matte shot-blasted finish **GS**
- Slip polished, shiny metallic **GP** (only type A)



INFORMATION

The special features of cabinet U-handles GN 565.5 are their rigidity and ergonomical shaping.

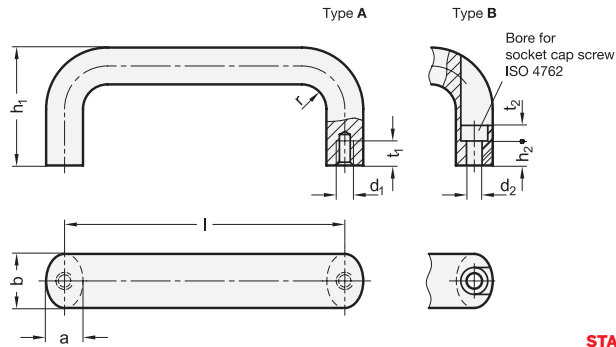
Cabinet U-handles are manufactured from a bent profile.

ACCESSORY

- GN 181 Fastening Sets (Mounting from the Operator's Side) (see page 488)

TECHNICAL INFORMATION

- Load Rating Information (see page A35)
- Stainless Steel Characteristics (see page A26)



GN 565.5-A

STAINLESS STEEL

Description	b	Length l	a	d1	h1	r	t1 min.	⚖
GN 565.5-20-112-A-GS	20	112	13	M 6	49	13	10	273
GN 565.5-20-112-A-GP	20	112	13	M 6	49	13	10	273
GN 565.5-20-128-A-GS	20	128	13	M 6	51	13	10	304
GN 565.5-20-128-A-GP	20	128	13	M 6	51	13	10	304
GN 565.5-20-160-A-GS	20	160	13	M 6	51	13	10	355
GN 565.5-20-160-A-GP	20	160	13	M 6	51	13	10	355
GN 565.5-20-200-A-GS	20	200	13	M 6	51	13	10	418
GN 565.5-20-200-A-GP	20	200	13	M 6	51	13	10	418
GN 565.5-20-250-A-GS	20	250	13	M 6	51	13	10	517
GN 565.5-20-300-A-GS	20	300	13	M 6	51	13	10	600
GN 565.5-20-400-A-GS	20	400	13	M 6	51	13	10	737
GN 565.5-26-128-A-GS	26	128	17	M 8	57	19	12	750
GN 565.5-26-128-A-GP	26	128	17	M 8	57	19	12	750
GN 565.5-26-160-A-GS	26	160	17	M 8	57	19	12	760
GN 565.5-26-160-A-GP	26	160	17	M 8	57	19	12	760
GN 565.5-26-200-A-GS	26	200	17	M 8	57	19	12	770
GN 565.5-26-200-A-GP	26	200	17	M 8	57	19	12	770
GN 565.5-26-300-A-GS	26	300	17	M 8	57	19	12	990
GN 565.5-26-400-A-GS	26	400	17	M 8	57	19	12	1260
GN 565.5-26-500-A-GS	26	500	17	M 8	57	19	12	1525

GN 565.5-B

STAINLESS STEEL

Description	b	Length l	a	d2	h1	h2	r	t1 min.	t2	⚖
GN 565.5-20-112-B-GS	20	112	13	5.4	49	13.5	13	10	5.5	273
GN 565.5-20-128-B-GS	20	128	13	5.4	51	13.5	13	10	5.5	270
GN 565.5-20-160-B-GS	20	160	13	5.4	51	13.5	13	10	5.5	355
GN 565.5-26-128-B-GS	26	128	17	6.4	57	11	19	12	6	520
GN 565.5-26-160-B-GS	26	160	17	6.4	57	11	19	12	6	600
GN 565.5-26-200-B-GS	26	200	17	6.4	57	11	19	12	6	715